

ELMARK[®]

The Brand of Electricity

IZZY SERIES



Technical data:

- Nominal voltage: 230V/ 50-60Hz
- Lamps: Not Included max 50W on lamp holder
- Lamp holder: GU10
- Colour: White; Black
- Material: Metal
- Protection against electric shock: I
- Surface requirements: Class F
- Protection against dust and moisture: IP20
- Material: Metal+ Fabric

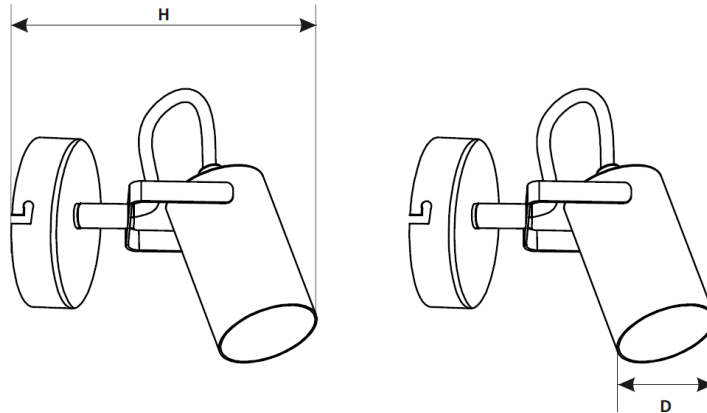
Features:

- Safe, low-voltage function
- Unique appearance suitable for modern furnishing
- Low energy consumption
- Instant lighting with maximum luminous flux
- Environmentally Friendly – does not emit Mercury and Lead (by RoHS Directive)
- No ultraviolet and infrared rays

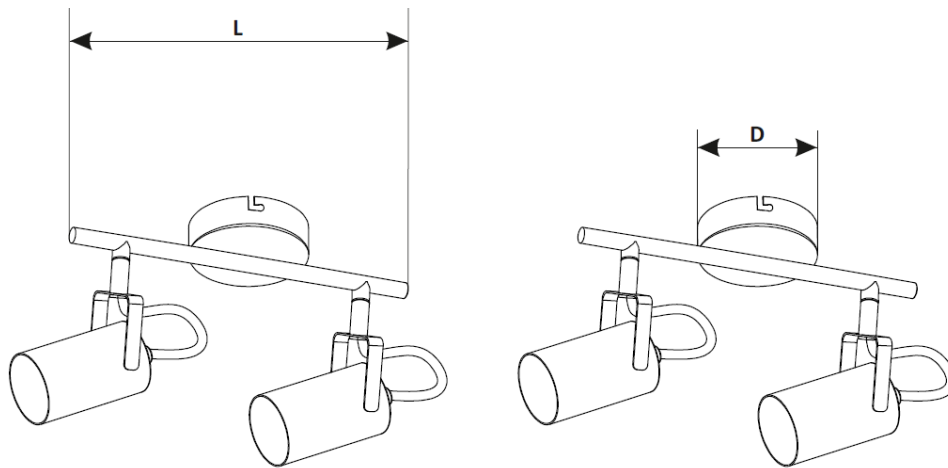
Area of application:

- General illumination
- Domestic application
- Trade facilities
- Shops
- Art galleries

Variants and Dimensions:



Description	Colour	Lamp holder	Size (mm)		Catalogue number
			Base Diameter	Height	
Spot with metal switch	white	1xGU10	80	180	955IZZY1W/WH
Spot with metal switch	black	1xGU10	80	180	955IZZY1W/BL
Spot	white	1xGU10	80	180	955IZZY1/WH
Spot	black	1xGU10	80	180	955IZZY1/BL



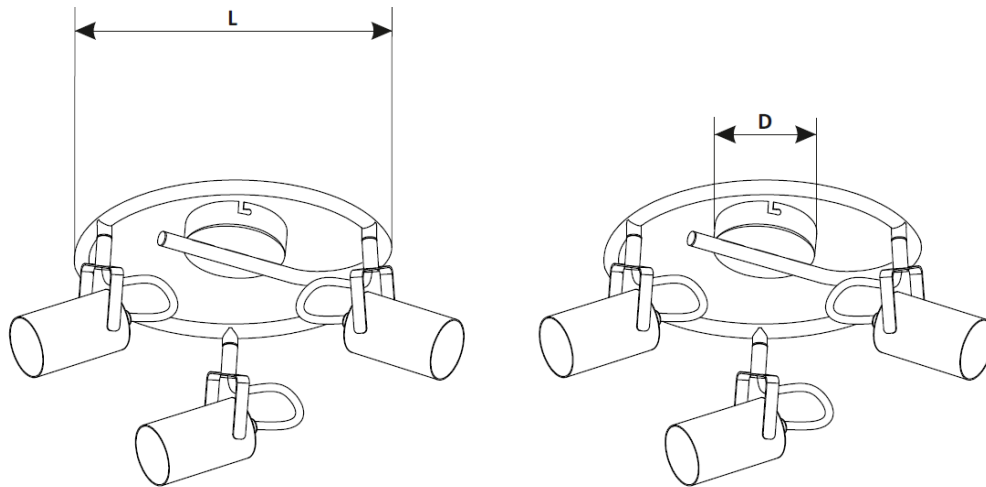
Description	Colour	Lamp holder	Size (mm)			Catalogue number
			Base Diameter	Length	Width	
Spot	white	2xGU10	80	250	180	955IZZY2/WH
Spot	black	2xGU10	80	250	180	955IZZY2/BL

TECHNICAL SPECIFICATION

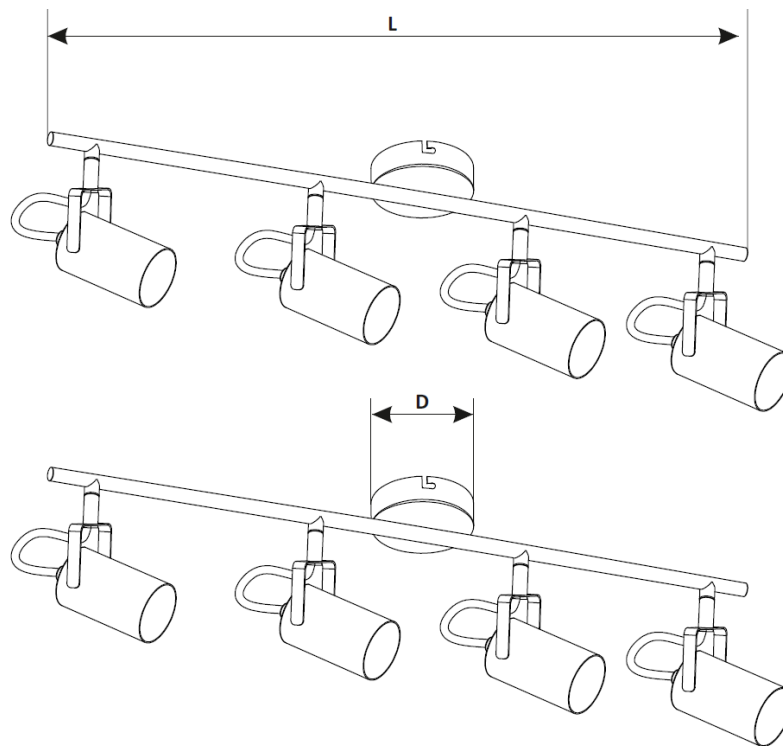
ELMARK®

The Brand of Electricity

DECOR LUX



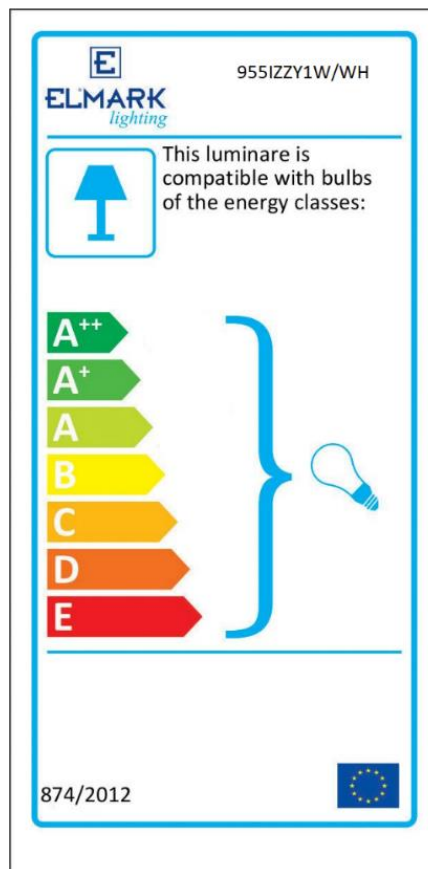
Description	Colour	Lamp holder	Size (mm)		Catalogue number
			Base Diameter	Width	
Spot	white	3xGU10	80/250	180	955IZZY3/WH
Spot	black	3xGU10	80/250	180	955IZZY3/BL



Description	Colour	Lamp holder	Size (mm)			Catalogue number
			Base Diameter	Length	Width	
Spot	white	4xGU10	80	600	180	955IZZY4/WH
Spot	black	4xGU10	80	600	180	955IZZY4/BL

Packing:

Catalogue number	Barcodes	Packing/ Box (pcs)
955IZZY1W/WH	3800131218322	1/20
955IZZY1W/BL	3800131218339	1/20
955IZZY1/WH	3800131218346	1/20
955IZZY1/BL	3800131218353	1/20
955IZZY2/WH	3800131218360	1/12
955IZZY2/BL	3800131218377	1/12
955IZZY3/WH	3800131218384	1/6
955IZZY3/BL	3800131218391	1/6
955IZZY4/WH	3800131218407	1/6
955IZZY4/BL	3800131218414	1/6



• EN 55015 • EN 60598-1 • EN 60598-2-1 • EN 61547 •

CE RoHS COMPLIANT